



## STREAMLIGHT SURVIVOR® LED

### SURVIVOR

Tough, durable, portable lantern certified for hazardous locations. Now with new C4® LED technology producing 2 to 3 times the output of previous LEDs.

- **C4® LED** technology, impervious to shock with a 50,000 hour lifetime
- Lamp and battery housings and battery base made of high-impact, super-tough nylon for exceptional durability
- LED Rating:
  - High** – 36,000 candela (peak beam intensity) and 140 lumens
  - Low** – 12,000 candela (peak beam intensity) and 47 lumens
- Deep-dish parabolic reflector produces narrow beam; ideal for smoke-cutting applications. Optimum peripheral illumination to aid in navigation.
- Runtimes:
  - NiCd – High:** 3.5 continuous hours to the 10% output level.
  - NiCd – Low:** 13 hours.
  - NiCd – Flash:** 8 hours continuous.
  - NiCd – Moonlight:** 20 days continuous.
  - Alkaline – High:** 4 continuous hours to the 10% output level.
  - Alkaline – Low:** 15 hours.
  - Alkaline – Flash:** 8 hours continuous.
  - Alkaline – Moonlight:** 20 days continuous.
- All openings are O-ring sealed for weather resistance
- Industrial rechargeable nickelcadmium 4.8V, 1.9 amp-hour, 4-cell sub-C battery pack or optional (4)AA alkaline battery pack
- Fits existing Survivor chargers
- IP54



## STREAMLIGHT Firebox®

### FIREBOX

Industrial duty, portable lantern with a halogen bi-pin bulb and (2) ultra-bright blue LEDs.

- High-impact ABS thermoplastic housing with toggle switch. Rubberized impact bumper, lens ring, cushioned-grip handle and reinforced D-rings.
- 11 1/2" (L) X 5.1" (W) X 7" (H)
- 7.4 lbs
- High-intensity halogen bi-pin 8 watt spot bulb with 100 hour life time and two ultra bright blue LEDs
- Up to 80,000 candela (peak beam intensity)
- Bulb Rating: 150 lumens typical
- 6V, 12amp-hour rechargeable battery can be recharged up to 500 times.
- Serialized for positive identification
- Fits existing LiteBox charging rack
- Toggle Switch
- Available in International Safety Orange and Yellow

## POLYTAC 90


**STREAMLIGHT  
PolyTac 90® LED**

This versatile right angle compact tactical flashlight can clip onto a turn-out gear, ACH or onto our new elastic head strap for a headlamp. It's super bright, can be operated easily with gloves and is encased in a virtually indestructible nylon polymer housing.

- **C4® LED** technology, with a 50,000 hour lifetime.
- Glass lens, gasket sealed.
- 3 modes:
  - High** – 7000 candela peak beam intensity, 170 Lumens, 3.75 hours runtime
  - Low** – 700 candela peak beam intensity, 17 Lumens, 30 hours runtime
  - Strobe** – 6 hours runtime
- Two 3 Volt “CR 123A” lithium batteries with a shelf life of ten years.
- Head mounted push button switch provides one handed momentary or constant on operation. Fast double click from off to activate Strobe mode; fast triple click from off to activate Low mode.
- 90° head. One meter impact resistance tested. IPX7 rated design; waterproof to one meter for 30 minutes. Integrated carabiner style D-ring for a variety of attachment methods. Fully rotatable/reversible/removable clip to allow a variety of mounting positions. LED Solid State Power Regulation provides maximum light output throughout battery life. Individually serialized for positive identification.
- Optional Gear Keeper® system for attaching the light to turnout gear or other clothing or equipment
- Gear Keeper features a retractable attachment system with a high-strength nylon tether with a 36" extension and 6 oz. of retraction force
- L x W x D: 5.22" x 1.25" x 1" (13.3 x 3.18 x 2.54 cm)
- 4.1 oz (116 g)
- Black, Yellow or Orange

## H.I.D. LITEBOX


**STREAMLIGHT  
H.I.D. Litebox**

The One Million Candlepower High-Intensity Discharge Search Light that Illuminates Objects One Mile Away! The H.I.D. LiteBox® has the intensity and peripheral illumination to light an entire scene; plus navigation LEDs for low-light maneuvering. Ideal for field maintenance, inspection of construction sites and remote equipment, it's a heavy-duty, rechargeable, completely portable high intensity search that does it all.

- Deep-dish parabolic reflector produces a long range high intensity focused, one million candlepower beam
- Fully articulating head can be aimed precisely at target
- Two White Navigation LEDs
- 35 Watt H.I.D Xenon lamp: 3350 Lumens, 1,000,000 Peak Beam Candlepower; 2000 hr. min. lifetime
- White 5mm LED (x2): 9 Lumens (each), Impervious to shock with a 100,000 hr. lifetime
- Runtime: H.I.D. lamp: up to 1.75 hrs, LEDs: 100 hrs.+



## STREAMLIGHT Fire Vulcan

**FIRE VULCAN**

A life-saving innovation. The only lantern with two powerful, ultra-bright blue LED taillights to help you be seen even in thick smoke.

- High-intensity halogen 8 watt spot bi-pin bulb and two ultra-bright blue LEDs
- Strobe and Steady Modes
- Up to 80,000 peak beam candlepower with halogen bulb
- Bulb Rating: 150 lumens typical
- Run times are up to 3 hrs. with steady halogen & LEDs; up to 6 hrs. with blinking halogen and LEDs; up to 60 hours with blinking LEDs only
- 6V 4.5 amp-hour rechargeable battery can be recharged up to 500 times
- Waterproof
- 7-1/2" (L) x 5" (W) x 5-3/4" (H), 3.3 lbs.
- Quick-release strap



## STREAMLIGHT Fire Vulcan LED

**FIRE VULCAN LED**

**RECHARGEABLE LED LANTERN So light it floats!** The brightest rechargeable LED lantern in its class! It's brighter, lighter and smarter. The life-saving taillights are just part of what makes the rechargeable Fire Vulcan LED such a critical firefighting tool. It's lighter too, about 45% lighter than the halogen Fire Vulcan® .

- **C4® LED**, impervious to shock with a 50,000 hr lifetime
- Light Output: High – 80,000 candela peak beam intensity and 145 lumens measured system output; Low – 40,000 candela peak beam intensity and 70 lumens measured system output; Deep-dish parabolic reflector produces a tight beam with optimum peripheral illumination to aid in navigation; Optimized electronics provide regulated intensity
- Ultra-bright **blue taillight LEDs** make certain you can be seen even in thick smoke
- Two lightweight lithium ion nanotechnology cells; recharges in 5 hrs
- Run times: Steady high LED & taillights: up to 3 hrs to the 10% output level; low: up to 6 hrs
- 8 programmable switch functions
- Easy to operate toggle switch
- IPX7 rated design – waterproof to 1 meter for 30 minutes
- Fits existing Streamlight Vulcan chargers
- Two models: Standard System with AC/DC and Vehicle Mount with 12V DC direct wire charging rack; both models include a quick release buckle strap
- Lightweight. Just 1.85 lbs
- Quick-release strap works like a seatbelt buckle for fast and easy release/connection of shoulder straps



## STREAMLIGHT STREAMLIGHT® 2AA

**PROPOLYMER 2AA**

Almost indestructible polymer case with non-slip grip, waterproof to 200 feet and unique tailcap or bezel switching. Up to 3,500 candlepower and 4 hours of use. UL, ULC and CE Approved.



## STREAMLIGHT STREAMLIGHT® 4AA

**PROPOLYMER 4AA**

Constructed of shock resistant, engineering grade polymer case with thermoplastic elastomer grip and unbreakable polycarbonate lens. Waterproof to 200 feet. Up to 6,000 candlepower and 4 hours of use. UL, ULC and CE Approved.

### ProPolymer® 4AA Lux Div 1

1 watt, 10,000 hour, super high-flux LED provides a longer reaching, brighter beam that's 10 times brighter than a high-intensity LED. Ergonomically shaped for maximum hand comfort.

- Powered by 4 "AA" alkaline batteries
- Up to 3,500 peak beam candlepower (42 lumens)
- Waterproof
- Runs up 4 hrs. at full intensity with 2 additional hrs. of declining usable light
- Available in yellow and black



## STREAMLIGHT STREAMLIGHT® 3C

**PROPOLYMER 3C**

Like its smaller brothers, the 3C is non-conductive, corrosion proof, has a brilliant xenon bulb and built-in spring clip. Waterproof to 200 feet. Up to 12,000 candlepower and 5.5 hours of use. UL, ULC and CE Approved.



## STREAMLIGHT TRIDENT

**TRIDENT**

Includes three LEDs and a xenon bulb in the same reflector. Three-position lighting lets you select the best combination of lights for the task at hand.

- Powered by 3 "AAA" alkaline batteries (included)
- 300 mA xenon bi-pin bulb, plus three 100,000-hour life LEDs
- 18 lumens typical (xenon); 24 lumens typical (3 LEDs)
- 3-position lighting; 1) xenon bulb; 2) one LED; 3) three LEDs
- Spot to flood focus
- Adjustable elastic head strap and rubber hard hat strap
- 90° tilting head
- Runs up to 150 hrs (single LED)



## STINGER DS LED

### STREAMLIGHT Stinger DS® LED



This all purpose flashlight is designed for the broadest range of lighting needs at the best value.

- DUAL SWITCH TECHNOLOGY – Access three lighting modes and strobe via the tail cap or the head-mounted switch. Switches operate independently
- Three modes and strobe:
  - High for a bright super-bright beam – 350 lumens; 24,000 candela peak beam intensity; 310 meter beam distance; runs 2 hours
  - Medium for bright light and longer run times – 175 lumens; 12,000 candela peak beam intensity; 219 meter beam distance; runs 3.75 hours
  - Low for light without glare and extended run times – 85 lumens; 6,000 candela peak beam intensity; 155 meter beam distance; runs 7.25 hours
  - Strobe for disorienting or signaling your location; runs 5.5 hours
- Deep-dish parabolic reflector produces a concentrated beam with optimum peripheral illumination
- **C4® LED** technology, impervious to shock with a 50,000 hour lifetime
- Regulated run time provides consistent performance throughout battery life
- 3-cell, 3.6 Volt NiCd sub-C battery, rechargeable up to 1000 times.
- 3-cell, 3.6 Volt NiMH sub-C battery, rechargeable up to 1000 times.
- 10 hr. steady charge, 2.5 hr. fast charge, or PiggyBack charger options
- Machined aircraft aluminum body with non-slip rubberized comfort grip
- IPX4 water-resistant; 1 meter impact resistance tested
- Unbreakable polycarbonate lens with scratch-resistant coating
- Includes anti-roll rubber ring
- Length: 8.85 " (22.48 cm); Weight: 12.8 oz (364 grams)

## STRION

### STREAMLIGHT STRION



It's ultra-compact – just 4.6 oz. – but it's as bright as lights 5 times its size, thanks to an innovative lithium ion rechargeable battery and xenon bulb.

- 6 watt xenon gas-filled bi-pin bulb; spare bulb in tailcap
- Lithium ion 3.75V battery with on-board safety control circuit
- Up to 70 minutes continuous use between charges
- Up to 12,000 peak beam candlepower, 116 lumens
- Adjustable focus beam
- Rechargeable up to 300 times on 100V, 120V, 230V, 240V AC, or 12V DC chargers
- Clamp-style charger holder with digital control circuit that prevents over charge; LED indicates charge status. Fully recharged in 2.5 hrs.
- Momentary and constant-on modes
- 5.3", 4.6 oz



## STREAMLIGHT Twin-Task® 3C

**TWIN-TASK**

This versatile light, with a high-intensity xenon bulb plus six ultra-bright white LEDs, can shine for up to 160 hours.

- Powered by 3 "C" alkaline batteries
- High-pressure xenon bulb; plus 6 ultra-bright, white 100,000-hour life LEDs

- 57 lumens typical with xenon bulb; 28 lumens typical with 3 LEDs; 52 lumens with 6 LEDs
- Up to 5 hrs. run time (xenon); up to 160 hrs. (3 LEDs); up to 100 hrs. (6 LEDs)
- 1.68" (D) x 9.02" (L)



## STREAMLIGHT Twin-Task® 3C-UV

**TWIN-TASK UV**

Includes an ultra-bright xenon bulb plus six ultraviolet LEDs for UV detection of fraudulent documents, forensic investigations and for detecting engine and HVAC leaks.

- Powered by 3 "C" alkaline batteries
- A high-pressure xenon bulb; plus 6 ultraviolet 100,000-hour life LEDs
- 57 lumens typical with xenon bulb

- Available in Black (with three 375 and three 390 nanometer UV LEDs – ideal for law enforcement use) or Titanium (with six 390 nanometer UV LEDs – for HVAC & auto leak detection)
- Up to 5 hrs. run time (xenon); up to 160 hrs. (3 LEDs); up to 100 hrs. (6 LEDs)
- 1.68" (D) x 9.02" (L)



## STREAMLIGHT Vantage

**VANTAGE**

The solution to firemen's hands-free lighting needs. Compact, powerful, shock-proof, and virtually indestructible! Now meets requirements of NFPA 1971-8.6 (2007)

- Lightweight, compact, low profile design easily attaches/detaches **above or below** brim on fire helmets, industrial helmets and hard hats
- **C4® LED** impervious to shock. Will not break or burn out!
- C4 LED is 2-3 times brighter than previous generation LEDs
- Features an **ultra-bright blue taillight LED**
- Up to 4,500 candela peak beam intensity; 80 lumens measured system output
- 6 hours of continuous runtime to the 10% output level
- Solid-state current regulation for consistent illumination level

- Fits both traditional and modern style helmets
- Tighten clamp with your fingers. No tools necessary!
- Swivel clamp and insertable 5° angle adjuster to optimize beam location
- Rotates 360 degrees on clamp
- Textured parabolic reflector produces a smooth beam hotspot with optimum peripheral illumination
- Anodized aircraft aluminum
- Uses two 3V lithium batteries
- Reflective strip
- IPX7 rated waterproof to 1 meter for 30 minutes
- High temperature, shock mounted, impact resistant Boro Float glass lens
- High impact, chemically resistant engineering polymer LED housing
- 3.26 in.; 5.14 oz

## POLYTAC



### STREAMLIGHT Polytac

Introducing Streamlight's first virtually indestructible, super-bright, nylon polymer tactical light!

- Xenon bulb with 30 hour life; 6,000 candela peak beam intensity; 72 Lumens
- Features adjustable head that allows for variable spot-to-flood focus
- Run time up to 80 minutes
- High impact super tough nylon polymer for exceptional durability and a sure grip
- Tailcap push button provides one-handed momentary or constant "on" operation.
- Available in Black, Coyote Tan and Yellow
- 5.22" Long; Lightweight, just 3.9 oz.
- IPX7 rated design; waterproof to 1 meter for 30 minutes
- Powered by two 3V CR123A lithium batteries (included)

## WAYPOINT



### STREAMLIGHT WayPoint®

The WayPoint® features a pistol-grip handle and an integrated stand for precise scene lighting

- Pistol-grip spotlight features 3 modes: High, low, strobe
- **C4® LED** Illumination Output:  
**High** – 115,000 candela peak beam intensity/210 lumens  
**Low** – 10,000 candela peak beam intensity/20 lumens
- Runtime (using alkaline batteries):  
**High** – 8.5 hours  
**Low or Strobe** – 120 hours

Unlimited runtime using 12V DC power cord

- Powered by 4 "C" batteries (not included) or 12V DC power cord (included)
- High impact polycarbonate housing
- Deep-dish parabolic reflector produces a long-range targeting beam with optimum peripheral illumination
- Includes lanyard
- Integrated stand for scene lighting
- Available in Yellow or Black

## AFS-ESL



### ASSOCIATED FIRE & SAFETY Electronic Signal Light

Is a super bright traffic and emergency signal light. It has 3 different flashing patterns, belt clip and 6" traffic cone for use as a delineator. The electronic signal light runs for up to 400 hours continuously on 2 "D" cell batteries.

## KNUCKLEHEAD



### STREAMLIGHT Knucklehead®

**RECHARGEABLE WORK LIGHT** Designed to put light where you need it, the Knucklehead is the most versatile light you'll ever own.

- Engineered optics feature dual parabolic reflectors within a larger textured reflector optimizing light on target in conjunction with an overall smooth flood pattern
- Shockproof dual **C4® premium LED technology** delivers 200 lumens
- Features a 210 degree articulating head that rotates a full 360 degrees
- 4 modes:
  - High** – 1150 candela peak beam intensity, 200 Lumens, 3.5 hour runtime
  - Low** – 350 candela peak beam intensity, 63 lumens, 16 hour runtime
  - Moonlight** – 20 day runtime

- **Flash** – 8 hour runtime
  - Dual power source: accepts rechargeable NiCd battery pack or 4 “AA” alkaline batteries
  - Rubber dome push-button actuator is easy to operate even when wearing heavy gloves
  - Removable magnet with 135 lb pull strength features a replaceable rubber boot
  - Optimized electronics provide regulated intensity
  - High-impact, super-tough nylon polymer construction for exceptional durability
  - 2 meter impact-resistance tested
  - IPX4 rated for water-resistance
  - 9.2 in. (23.4 cm); NiCd 23.1 oz (655 grams); Alkaline 18.3 oz (519 grams)
- Available in black or yellow

## PEL-3700, PEL-3750F



### PELICAN BIG ED™ Rechargeable and Alkaline Light

- Body made of unbreakable ABS
- Comes with high and low output lamps
- Push Button Quick Change Battery Replacement System
- Momentary and constant ON/OFF switch
- Stainless steel ring and clip for attachment ease
- CE, EX, UL Class 1, Div. 2 Approved

#### Big Ed™ 3700 Flashlight

Designed for the firefighter, the Big Ed is the choice of flashlight for the turnout gear. The unbreakable ABS body resists chemicals, water, and corrosion. Rubber side grips prevent slipping and the push button switch on the side is easy to operate, even with thick gloves. For hands-free use, a heavy duty stainless steel clip is built in. The 3700 uses a hi-intensity Xenon lamp that produces a beam strong enough to cut through thick



smoke and dust. A back-up emergency lamp is housed behind the reflector. Battery replacement is easy with its quick change battery ejection system. The Big Ed is powered by 4 C alkaline cells.

#### Big Ed™ Rechargeable 3750 Flashlight

The rechargeable version of the 3700 Flashlight with multiple options for charging. The Fast Charger System comes with a 2-bay charger base: a fast charging bay for the Big Ed (with battery pack installed) and a trickle bay for a spare battery pack (not included). It also comes with a 110V transformer. The Trickle Charger System comes with a trickle/trickle charger base. It is available with either a 110V transformer or 12V plug-in adapter (for vehicle installation). Another option for vehicle installation for the Trickle system is with a direct wiring kit accessory.





## PELICAN StealthLite™ 2400 Flashlight

**PEL-2400C**

Popular with firefighters and adventure seekers. The unique easy slide thumb switch on the StealthLite 2400 Flashlight is easy to operate, even with gloves. The tough resin body is corrosion proof and resistant to extreme temperatures. The Xenon lamp is powered by 4 AA alkaline cells (included) for a bright beam that penetrates thick smoke, fog, and dust. Attach the StealthLite to one of our optional helmet light holder clips and you have a hands-free light for work or play. This light is submersible. Colors: Black, Yellow, Orange. Length: 6-1/2". FM, CSA, CE, EX, MSHA, UL Class 1 Div. 1 Approved. Rechargeable Stealthlite® is also available. 45 Lumens, 3 hour 45 min. burn time.



## PELICAN PeliLite™ 1800 Flashlight

**PEL-1800C**

This one is built to last. The unbreakable ABS body resists chemicals, water and corrosion. The polycarbonate lens and focused Xenon lamp module produce a tight white beam that penetrates smoke and fog. The PeliLite 1800 flashlight is submersible, thanks to the o-ring seal and twist-on shroud that eliminates leaky switches. It is powered by 2 C alkaline cells.



## PELICAN SabreLite™ 2000 Flashlight

**PEL-2000C**

This powerful flashlight was designed with one thing in mind: SAFETY. It carries a variety of approvals, allowing safe use in many different hazardous environments and conditions. The SabreLite is o-ring sealed with a twist-on shroud and comes with a polarity battery guard tray that safeguards against dangerous "outgassing" of hydrogen from an accidentally reversed cell. It is powered by 3 C alkaline cells, submersible, and has an ABS resin body which resists chemicals, corrosion, and extreme temperatures. Unlike ordinary flashlights that produce a yellow beam, the SabreLite's incredibly bright Xenon lamp produces a powerful collimated white beam. Pelican's SabreLite is the leader in quality and performance.



## PELICAN SabreLite™ 2010 LED Flashlight

**PEL-2010**

The SabreLite 2010 LED is Pelican's flagship LED flashlight. LED technology produces a white collimated beam that's as bright as an incandescent flashlight and provides 10,000 hours of lamp life and extended battery burn time. The rugged, light weight ABS resin body is submersible and a twist on/off lens shroud eliminates accidental discharge. It is powered by 3 C alkaline cells. The SabreLite 2010 Flashlight is the future of LEDs.



**PELICAN  
Little Ed™ 3610 LED Flashlight**

**PEL-3610**

The 3610 is a right angle flashlight that uses our latest “Deep Mount” LED technology, delivering impressive lumens and lux performance. The stainless steel mounting clip allows for hands free applications. The body is made of tough ABS resin that's corrosion proof and resistant to extreme temperatures. It is powered by 4 AA alkaline cells (included). Available in alkaline & rechargeable models. Lumens: 126



**PELICAN  
3715 LED Flashlight**

**PEL-3715**

Pelican leads the way yet again with its new right angle light. Featuring downcast LEDs for illuminating your path, the new 3715 LED light also features 174 lumens (high) and 95 lumens (low), and a signaling mode. Another first is a built in battery life indicator so you

will know your light's battery level before you go in. Compact, rugged, and lightweight, the 3715 LED light contains the latest technology, Pelican's legendary build quality and lifetime guarantee of excellence. \*\*Also available in a rechargeable model



**PELICAN  
9420 LED Work Light**

**PEL-9420**

Now you can start your day before sunrise if you have the new portable Pelican ProGear 9420 LED Work Light in your tool crib. Equipped with two LEDs (1000 lumens of light and 4 hours of burn time), plus a 5 foot high mast deploys easily in seconds and illuminates your entire work area. With the 9420 you will get the job done without the hassle of power cords. Accessing the basement or the attic is easy when you sling the lightweight and collapsible 9420 over your shoulder (shoulder strap accessory not included). The new Pelican ProGear 9420 LED Work Light: Keeps you moving at the speed of light.



**PELICAN  
9460 Remote Area Lighting System**

**PEL-9460**

Refined and more powerful the 9460 Remote Area Lighting System (RALs) provides convenient and ecologically responsible alternatives to wasteful generator powered lights. Engineered with the Intelligent Control System which calculates and displays current battery life, allows the user to regulate the intensity of the light and choose the desired run time. Built with versatility in mind, the 9460 RALS features two swiveling telescope masts (each extends to nearly 6 feet) and two 360 degree articulated light arrays. The system's next-generation LEDs combine to radiate up to 6,000 lumens (3,000 per light

head). Powered by a rechargeable battery, the system offers up to 7 hours of peak brightness with a variety of extended run times. Built self-contained in a tough-as-nails Pelican case, the 9460 is compact and provides easy ground transport with a pull handle and stainless steel ball-bearing, polyurethane wheels.

- Telescoping dual LED light heads
- Housed in a Pelican protector case
- Up to 6,000 lumens of variable LED light
- Silent operation
- Cool operating temperatures
- No exhaust




Our Extenda-Lite Lights are designed to withstand the rigors demanded by the fire service, providing superior lighting in every situation. Akron's lights are manufactured using the highest quality materials and workmanship.

### Extenda-Lite Light Heads

Light Head Description	Light Head	Bulb Type	Wattage	Voltage	Amps	Lumens / Candle Power	Light Head Dimensions	Available Options
 SceneStar****	ELSS-SLDC	LED	150	10-32 V DC	12 (12 V DC) 6 (24 V DC)	14,000	14" W x 4 1/4" H x 5.6" D (356 x 108 x 142 mm)	DH (AC only) B
	ELSS-XLDC	LED	220	10-32 V DC	18 (12 V DC) 9 (24 V DC)	19,000		
	ELSS-XLAC	LED	220	120 AC/240 AC	1.8/.9	20,000		
 Night Breaker**	ELNB-150***	Quartz or HID	150 (HID)	12 DC*	12.5	13,000	8 1/2" W x 6 1/2" H x 7" D (216 x 165 x 178 mm)	DH (AC only) SW*
	ELNB-300	Quartz Halogen	300	24 DC † 120 AC/240 AC	12.5 2.6/1.3	5,000 5,400		
	ELNB-500	Quartz Halogen	500	120 AC/240 AC	4.5/2.3	10,500		
	ELNB-750	Quartz Halogen	750	120 AC	7	21,000		
 Low Profile Beta **	ELBE-150***	Quartz Halogen	150	12 DC *	12.5	3,000	13.75"W x 4"H x 3.5"D (350 x 101 x 89 mm)	WG SW* DH (AC only)
	ELBE-300	Quartz Halogen	300	24 DC 120 AC/240 AC	12.5 2.6/1.3	5,000 5,400		
	ELBE-500	Quartz Halogen	500	120 AC/240 AC	4.5/2.3	10,500		
	ELBE-650***	Quartz Halogen	650	120 AC	5.4	25,200		
	ELBE-750***	Quartz Halogen	750	120 AC	7	21,000		
 Stonco **	ELST-150	Quartz Halogen	150	12 DC *	12.5	3,000	8.75"W x 8.5"H x 5.5"D (222 x 216 x 140 mm)	WG SW* DH (AC only)
	ELST-300	Quartz Halogen	300	24 DC 120 AC/240 AC	12.5 2.6/1.3	5,000 5,400		
	ELST-500	Quartz Halogen	500	120 AC/240 AC	4.5/2.3	10,500		
 Stonco	ELST-1000	Quartz Halogen	1000	120/240 AC	9/4.5	21,500	16.5"W x 9.5"H x 5.5"D (420 x 241 x 140 mm)	DH (AC only) WG SW*
	ELST-1500	Quartz Halogen	1500	120/240 AC	13/6.3	35,000		

\*On/off switch comes standard on 12V lights.  
 \*\*Highly Polished Specular Hammertone Reflector.  
 \*\*\* Not CE approved  
 \*\*\*\*UL & CE rating pending  
 † Not available in 12V

# LIGHTS & SIRENS

Light Head Description	Light Head	Bulb Type	Wattage	Voltage	Amps	Lumens / Candle Power	Light Head Dimensions	Available Options
(12V1) Single 12 Volt 	ELST-12V1	Incandescent	One 100 w Flood One 200,000 CP Spot	12 DC * Flood Bulb	8.3	1,800/200,000 CP	8.75"W x 8.5"H x 5.5"D (222 x 216 x 140 mm)	DH WG SW*
(12V2) Dual 12 Volt 	ELST-12V2	Incandescent	Two 100 w Flood Two 200,000 CP Spot	12 DC *	16.6	3,600/400,000 CP	16.5"W x 9.5"H x 5.5"D (422 x 241 x 140 mm)	WG SW*
Daymaker (DM) Triple 12 Volt 	ELST-DM	Incandescent	Three 100 w Flood Three 200,000 CP Spot	12 DC *	24.9	5,400/600,000 CP	19.5"W x 11"H x 6.0"D (495 x 280 x 152 mm)	
Super Light 	ELSL-1000	HID	1000	120/240 AC	9/4.5	110,000	20"W x 8"H x 13"D (508 x 203 x 330 mm)	SW

**Light Head Options:**



**WG**  
Chrome Plated Wire Guard



**SW \***  
Switch for Light Head (Includes rubber boot)



**DH**  
Any two standard Extenda-Lite heads mounted on a 2" aluminum cross bar. Two heads independently swivel.



**B**  
Bottom handle only

\*On/off switch comes standard on 12V lights.  
\*\*Highly Polished Specular Hammertone Reflector.





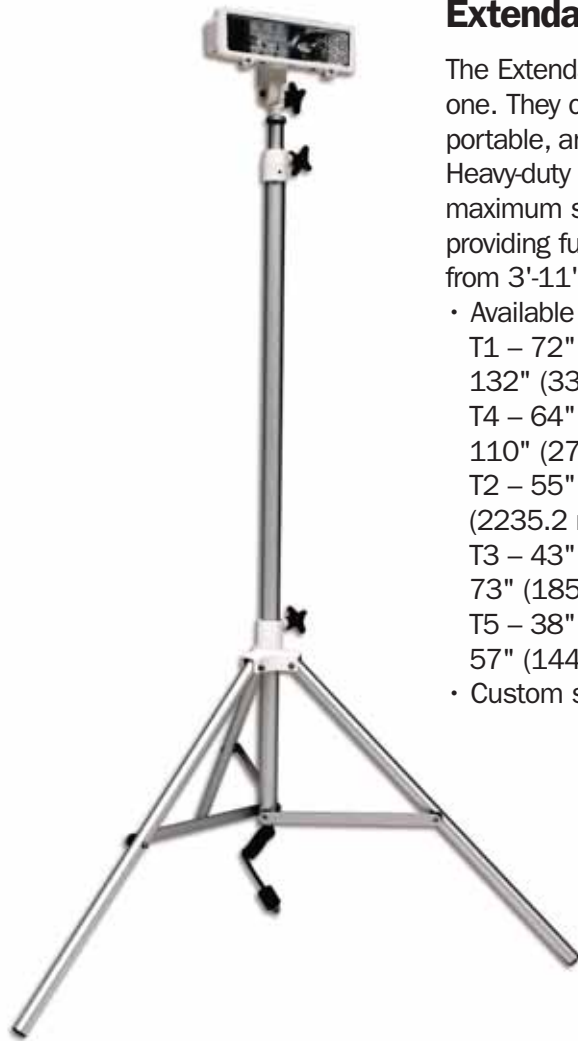
## AKRON BRASS PL-Series

Heavy-Duty Portable Hand Lights designed to provide effective portable lighting where you need it.

- Superior powder coated aluminum construction
- Available with SceneStar™, Stonco, Night Breaker and Beta light heads (Not recommended for use in 12V applications)

## PL SERIES

- UL listed with Stonco light heads
- Heavy-duty chrome-plated wire guard – not standard on all
- Standard with prewired 12" pigtail and L5-15 (110V)\*
- Meets NFPA requirements
- Triangle base for added stability



## AKRON BRASS Extenda-POD

The Extenda-POD offers three lights in one. They can be truck mounted, portable, and have the tripod feature. Heavy-duty tripods engineered for maximum stability and durability while providing fully adjustable scene lighting from 3'-11' in height.

- Available in 5 sizes:\*
- T1 – 72" (1828.8 mm) extends to 132" (3352.8 mm) high
- T4 – 64" (1625.6 mm) extends to 110" (2794 mm) high
- T2 – 55" (1397 mm) extends to 88" (2235.2 mm) high
- T3 – 43" (1092.2 mm) extends to 73" (1854.2 mm) high
- T5 – 38" (965.2 mm) extends to 57" (1447.8 mm) high
- Custom sizes not available

## EXTENDA-POD

- Heavy-duty anodized aluminum poles & leg braces for extreme strength and durability
- Heavy-duty 1 1/4" anodized aluminum legs provide ultimate stability
- Twist lock for quick and easy height adjustment (Standard unless otherwise specified)
- Available with any Akron Brass light head (not recommended for use in 12V applications)
- Can be used as a pull-up light while mounted
- Standard with pre-wired L5-15 (110V) plug on 110 AC versions
- \* Specify size in part number when ordering

## EXTENDA LITE PULL UP & PUSH UP LIGHTS



### AKRON BRASS Extenda-Lite® Pull-Up & Push-Up Lights

- Fully adjustable telescoping poles
- Pull-up Styles are standard with 58" (1473.2 mm) outside poles and 48" (1219.2 mm) inside poles
- Push-up Styles are standard with 11.5" (292.1 mm) outside poles and 60" (1524 mm) inside poles
- Custom sizes available
- Heavy-duty anodized aluminum poles
- Twist Lock for quick and easy height adjustment
- Internal coil cord (standard)
- External coil cord available at no charge
- Powder coated mounting brackets
- Available with any Akron Brass light head
- Can be provided as a pole only (less the light head and brackets)

## 18" CORD REEL, ECR-10-GB, ECR-10-4500



### AKRON BRASS Cord Reels

Akron Brass Cord Reels are the ultimate in managing portable power cords. The Cord Reel allows for fast, easy deployment and retraction of extension cords without the hassle of twisting or knotting. Akron Cord Reels are available in Live and Non-Live configurations.

- All live reels are internally grounded
- Available in 3 sizes 10", 15" & 18"
- Heavy-duty construction
- Powder coated
- Live slip ring design
- Adjustable tension nut
- 6' direct wire pigtail (10/3 Black)
- Meets NFPA requirements

#### Additional Options

- NEMA configuration connectors
- Heavy-duty cord & connectors (custom lengths)
- ECR-MT cord reel mounting bracket

**ECRP-18, ECRP-15, & ECRP-10** are live cord reels allowing continuous power to the cord as it is deployed or retracted while providing excellent storage and organization of extension cords.

**NCRP-18, NCRP-15, & NCRP-10** are non-live cord reels providing excellent storage and organization of extension cords.

**NCRP-18-GB, NCRP-15-GB, & NCRP-10-GB** are non-live cord reels with a gang box permanently mounted to the reel. Simply plug the cord into a receptacle and carry the reel to the fire ground or work site.

**ECRP-18-GB, ECRP-15-GB, & ECRP-10-GB** are live cord reels with a gang box permanently mounted to the axle. Simply plug the cord into a receptacle and carry the reel to the fire ground or work site.

Cord Reel Lights are reverse wired live cord reels, which allows a plug on the cord to be plugged into a power source while the Cord Reel Light is carried to the fire ground or work site. The Cord Reel Light allows the scene to be illuminated while providing a receptacle for additional tools or lights. Akron Brass' Cord Reel Lights come in several variations with either 500 or 750 Watt low profile Beta Light heads.





## AKRON BRASS Junction Boxes

The Akron Brass Junction Box is a must have on every apparatus, as it provides easy distribution of power for all your electrical needs on the fire ground. The Junction Box's durable design utilizes a heavy duty powder coated aluminum housing with a large integral handle and internally backlit faceplates. This makes the Junction Box easy to carry with excellent visibility, allowing easy electrical connection in the darkest conditions. Akron Brass Junction Boxes can be custom configured to meet your department's needs. Inlet options include: a flanged inlet plug, a 12" pigtail with any grounded NEMA plug configurations, or pre-wired for hard wiring the unit onto a cord reel or electrical cord set. Outlet receptacle options include any NEMA

configurations for each of the four receptacles.

- Durable powder coated aluminum construction
- Backlit faceplates
- Custom configurations
- Easy to carry
- UL listed plugs and receptacles
- Meets NFPA requirements
- 9 1/4" (235 mm) L x 5 1/2" (104 mm) W x 8 1/2" (216 mm) H
- Standard color: Gray unless specified

### Additional Options

- 30 Amp or dual inlet configurations
- GFCI protected receptacles
- 15, 20 or 30 amp circuit breakers
- Custom powder paint (yellow, red, white, or black)
- Rubber feet
- Wire mesh cord grip

## JUNCTION BOXES

## AKRON BRASS Aero-Maxx® II NFPA Lightbars

This lightbar meets NFPA 1901 upper Zone "A" requirements for both clearing and blocking modes. When combined with our versatile Diamondback perimeter warning lamps and LED beacons, a 100% NFPA certified Weldon warning lamp package can be provided!

Permanent lightbar is standard with mounting hardware optional. Lightbar gutter mounting kits available separately.

- Intense LED lightheades provide a wide output coverage area exceeding NFPA requirements
- Rugged aluminum chassis and impact resistant polycarbonate lenses provide excellent durability in harsh environments

- Cover lenses available in clear or colored configurations to match the LED
- Slotted mounting bolt channels provide flexible mounting options
- Serviceable lenses, lightheades and controller allow long-term maintenance of the product
- Additional options include: arrow stick, take-down and alley lights, and Opticom™ strobe tube



## AERO MAXX II

## DIAMONDBACK

### AKRON BRASS Diamondback™ Lightbars

The Diamondback lightbar utilizes our popular V37 Diamondback LED lamps to provide an unsurpassed warning signal for the vehicle. Available in body mount and roof mount configurations. Halogen scene/loading lights, strobe heads and DOT lighting can be incorporated into the lightbar using our 3800 Series lamps. The lightbar body is constructed of clear anodizing extruded aluminum

providing excellent durability and corrosion protection.

- LED – low amp draw
- Integrated flasher
- Body or roof mount (Must specify)
- Split bar configurations for aerials
- Straight, angle or wrap-around styles available



## 3900 SERIES

### AKRON BRASS 3900 Series Light Bars

- LED – low amp draw
- Integrated flasher
- Body or roof mount
- Split bar configurations for aerials
- Straight, angle or wrap-around styles available



## 7150/7160 SERIES

### AKRON BRASS 7150 / 7160 Series LED Beacon



This high power LED beacon is perfect for upper rear warning applications. The lamp can be surface mounted or pole mounted. In addition to the red and amber, the LED Beacon is also now available in white, blue & green.

- Eight 3 watt high power LEDs create an intense, attention grabbing signal
- Engineered reflector optics direct light efficiently into the required pattern
- Lamp includes 15 selectable flash patterns
- Coated die-cast aluminum housing protects against corrosion
- Replaceable lens cover provides lamp serviceability
- Engineered for 12 and 24 V applications
- 5 Year Warranty

## 7100

### AKRON BRASS 7110 Series 360° Roof Top Strobes



Our conventional strobe lamp series features a high-heat, impact resistant polycarbonate lens. The Fresnel optics provide an SAE J1318 Class 2 compliant signal. The tough polycarbonate base is corrosion

resistant for years of worry-free service.

- Polycarbonate lens with Fresnel optics
- Replaceable helical strobe tube
- Easy three-screw mounting
- SAE J1318 Class 2 compliant



## PERIMETER LIGHTS



### AKRON BRASS Diamondback™ V-LED Perimeter Warning Lamps

With incredible brightness, unmatched directional visibility, customized flash and styling flexibility, and unique serviceability; the new patented Diamondback V-LED Perimeter Warning Lamp is loaded with powerful innovations that deliver unprecedented performance!

#### Exclusive Features:

- Exceeds industry requirements (NFPA, SAE, KKK-A-1822)
- High impact polycarbonate lens with scratch and haze resistant hard-coating provides a lifetime of durability and clarity
- Flush mount design utilizes only four screw holes and a wire exit hole in

vehicle. Mounting pattern is common with most competitive lamps.

- Injection molded mounting pad is integrated with lamp head
- Four-wire lamp hook-up (power, ground, sync, and secondary enable wires)
- Chrome trim bezel option with injection molded gasket
- 12 and 24V operation
- Protected against reverse polarity, ESD, and transient voltage spikes (J1113-11)
- Fully tested for RF interference and susceptibility
- 5 year warranty



## SVP-D-44



### STAR HEADLIGHT Model D-44 Cyclone Speaker

#### Product Features:

- Patent Pending Cyclonic Expansion chambers
- Ultra Compact Design – Only 3" deep
- Rugged glass filled nylon housing – will not rust!
- User Replaceable rear facing driver
- 6 Custom fit brackets available

#### Specifications:

- Output: 100 Watts
- Impedance: 11 ohm
- Dimensions: 6.6" x 6.6" x 2.9"
- Exceeds Acoustical Requirements: SAEJ1849\* / Title 13 Class A\* / Approved with SVP sirens



## SVP-D-60



### STAR HEADLIGHT Model D-60 Speaker – Compact Slimline

#### Product Features:

- 100 Watt output
- Most popular
- ABS plastic housing

#### Specifications:

- 11 Ohms impedance
- Size: 5-1/4" H x 8" W x 7-1/4" D
- Weight: 8.5 lbs.

**SVP-SS670**

## STAR HEADLIGHT Model SS670 Siren – Full Feature Compact 100 Watt

The SS670 is a full feature 100 watt compact siren. Rotary switch selectable operating modes are Wail, Yelp, Hands Free, Phaser, Manual, Alert, and Radio. Push buttons operate Manual and Air Horn. Operating tones are Wail, Yelp, Air Horn, Phaser, Manual, and Two-Tone. Positive or negative switching for AUX and Park Kill inputs. The SS670 is protected against speaker shorts with a self-resetting circuit and a high & low voltage shutdown feature. This unit also features jumpers for option selections, public address override, and separate volume controls for the radio repeat and public address functions. Includes an attached noise canceling PA microphone and is backlit for easy night time read-ability. Ships complete with wire harness w/positive locking

connector, mic clip, mounting bracket, hardware, and instructions.

### Product Features:

- Wail, Yelp, Air Horn, Phaser, Manual, and Two Tone
- Meets Class A Specifications
- Self resetting Circuit Protection against speaker shorts
- Integrated public address microphone
- Park Kill
- Auxiliary Input
- Wiring harness included
- Locking connector on wiring harness
- Replaceable jumpers for option selection
- Positive and negative switching for AUX and PKILL inputs
- High and Low Voltage Shutdown Protection
- Drives one 100W speaker

**SVP-SS700**

## STAR HEADLIGHT Model SS700 Siren – Full Feature 200 Watt

With the ability to run at 200 watts for extended periods, the SS700 sets the standard for emergency vehicle sirens. LED speaker diagnostics allow quick troubleshooting. Rotary switch selectable operating modes are Wail, Yelp, Hands Free, Phaser, Manual, Alert, and Radio. Push buttons operate Manual and Air Horn. Operating tones are Wail, Yelp, Air Horn, Phaser, Manual, and Two-Tone. Positive or negative switching for AUX and Park Kill inputs. The SS700 is protected against speaker shorts with a self-resetting circuit and a high & low voltage shutdown feature. This unit also features integrated horn ring transfer, jumpers for option selections, public address override, and separate volume controls for the radio repeat and public address functions. Includes an attached noise canceling PA

microphone and is backlit for easy night time read-ability. Ships complete with wire harness w/positive locking connector, mic clip, mounting bracket, hardware, and instructions.

### Product Features:

- LED speaker diagnostics
- Wail, Yelp, Air Horn, Phaser, Manual, and Two-Tone
- Self-resetting circuit protection against speaker shorts
- Integrated public address microphone
- Park Kill Input
- Auxiliary input
- Positive locking wiring harness included
- Replaceable jumpers for option selection
- Positive and negative switching for AUX and PKILL inputs
- High and Low voltage shutdown protection
- Drives one or two 100 Watt speakers