



COMMAND LIGHT The Command Light

COMMAND LIGHT

Is the solution to the tactical problems darkness imposes. With Command Light. You light the emergency scene where and when you need the light...quick, fast and bright with surgical precision. The six position light combination has been engineered to produce a powerful beam of light that can light an area the size of a football field. Available in four models: 6 x 500 watts, 6 x 650 watts, 6 x 1000 watts, and 6 x 1500 watts. Standard features include: Continuous 360° rotation; All weather (Not affected by ice build-up, high winds, blowing dust); Full deployment in under 15 seconds; Ability to be used in street light position; Auto park; Umbilical remote controller with 15' cord; All electric (No air or hydraulics required); No scheduled maintenance. Options include: Top mounted strobe; Panel mounted controls; Other lighting packages available; Multiple control positions available.



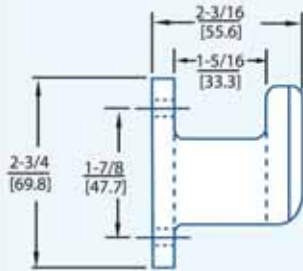
COMMAND LIGHT The Shadow

SHADOW

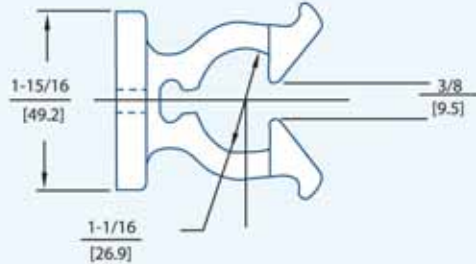
Is designed to provide light quickly over any situation, and is made to fit a variety of vehicles. Rescue trucks, Chief's vehicles, Police vans, RV's, Dive or Swat vans, Tow trucks, Splicing vehicles, Racing pit crew vans, Street repair units, and any other application that would benefit from quick, high quality lighting. The Shadow has been designed to be highly adaptable, with ability to customize the arm length and the number and wattage of lamp heads. Available in two models: 3 x 500 watts, and 1 x 1500 watts. Standard features include: All weather (Not affected by ice build-up, high winds, blowing dust); Full deployment in under 15 seconds; Ability to be used in street light position; Auto park; Umbilical remote controller with 15' cord; All electric (No air or hydraulics required); No scheduled maintenance. Options include: Top mounted strobe; Panel mounted controls; Other lighting packages available; Custom arm length (up to 80 inches); Multiple positions available.

Pac Tool Mounts

PAC HOOKLOKS P/N 1001



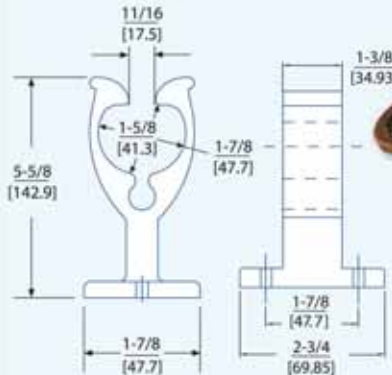
HOOKLOKS (sold in pairs) are clamp-action mounting brackets that depend on automatic clamping force and friction to restrain tools. Grip range 1" to 1-1/4" (25.40 - 31.75 mm).



HOOKLOKS P/N 1001 INCLUDES THE FOLLOWING

PART NO.	DESCRIPTION	QUANTITY
1001	HOOKLOKS - MOLDED FROM HIGH STRENGTH HYTREL	2
7030	PAC FASTENER PACKET	1

PAC FLEXMOUNT P/N 1002



FLEXMOUNTS are flexible Y-shaped mounting brackets designed to provide a secure, grip-type mount for poles, nozzles, tools and other equipment. Grip range 1-3/4" to 2-1/2" (44.45 to 63.50 mm).

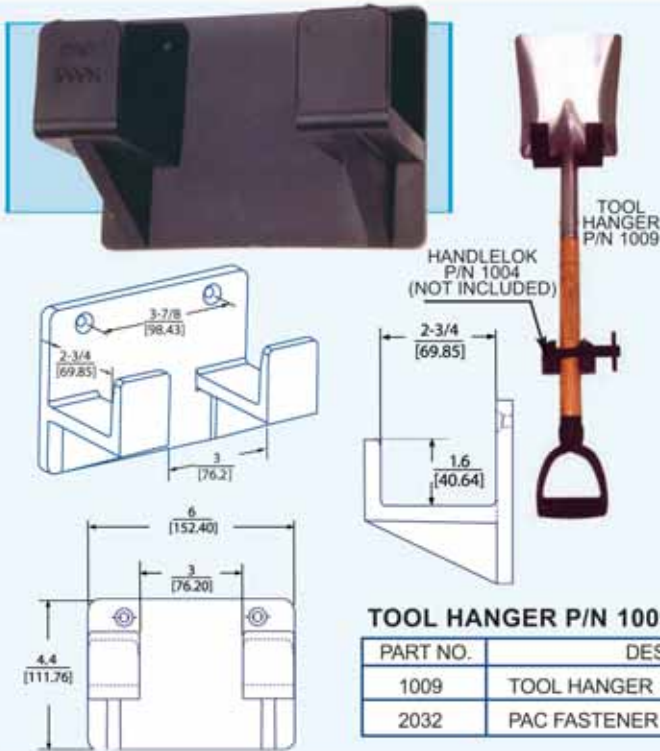
FLEXMOUNTS are manufactured from a space-age elastomer that is exceptionally tough, resistant to impact, non-corroding, UV-stabilized and non-conducting. Stainless-steel fasteners are included.

FLEXMOUNT P/N 1002 INCLUDES THE FOLLOWING

PART NO.	DESCRIPTION	QUANTITY
1002	FLEXMOUNT - MOLDED FROM HIGH STRENGTH HYTREL	1
7028	PAC FASTENER PACKET	1

TOOL HANGER P/N 1009

PAC



The TOOL HANGER is a rugged, molded urethane bracket (black) designed to permit simple mounting for shovels, brooms, and other "T" head equipment.

Resistant to weather, impact, UV and corrosion, TOOL HANGER provides a simple cost-effective method to hold a wide range of tools. Used in conjunction with either the HANDLELOK or TOOLOK, the TOOL HANGER permits reliable tool restraint, together with instant release.

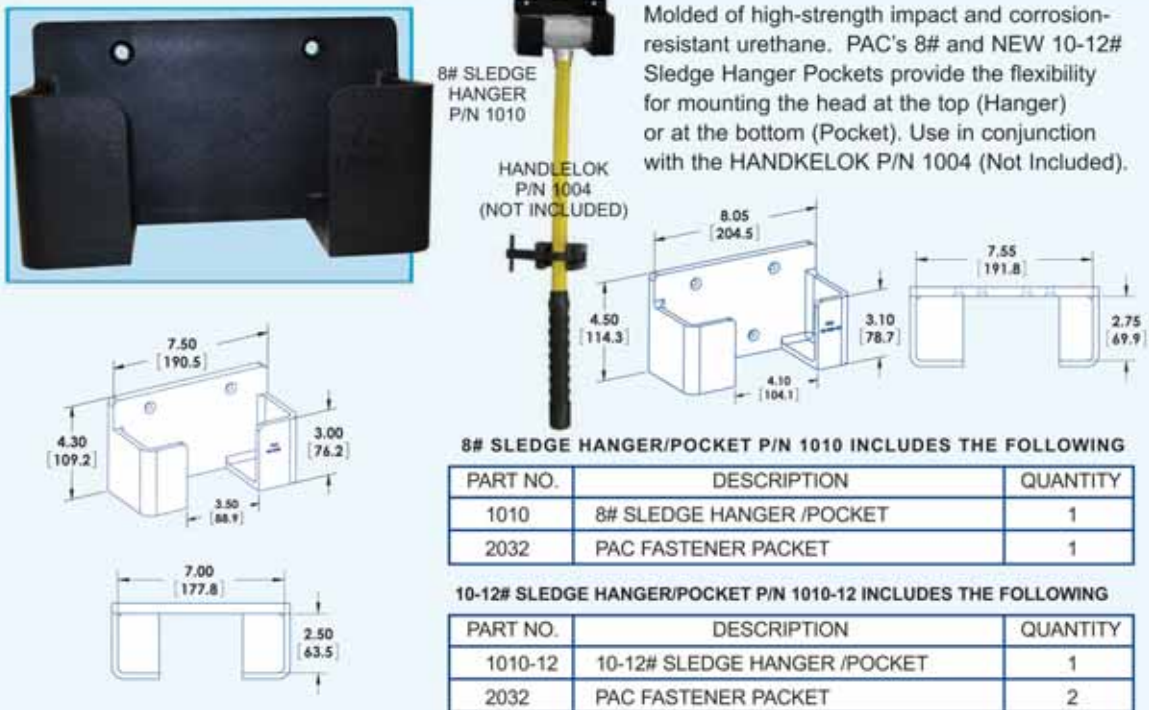
TOOL HANGER P/N 1009 INCLUDES THE FOLLOWING

PART NO.	DESCRIPTION	QUANTITY
1009	TOOL HANGER	1
2032	PAC FASTENER PACKET	1

SLEDGE HANGER/POCKETS

P/N 1010
P/N 1010-12

PAC



Molded of high-strength impact and corrosion-resistant urethane. PAC's 8# and NEW 10-12# Sledge Hanger Pockets provide the flexibility for mounting the head at the top (Hanger) or at the bottom (Pocket). Use in conjunction with the HANDLELOK P/N 1004 (Not Included).

8# SLEDGE HANGER/POCKET P/N 1010 INCLUDES THE FOLLOWING

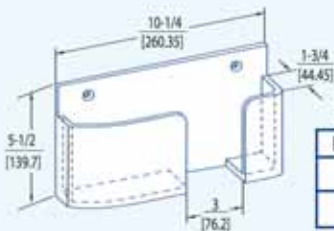
PART NO.	DESCRIPTION	QUANTITY
1010	8# SLEDGE HANGER /POCKET	1
2032	PAC FASTENER PACKET	1

10-12# SLEDGE HANGER/POCKET P/N 1010-12 INCLUDES THE FOLLOWING

PART NO.	DESCRIPTION	QUANTITY
1010-12	10-12# SLEDGE HANGER /POCKET	1
2032	PAC FASTENER PACKET	2

PAC

FLATHEAD AXE HANGER/POCKET P/N 1011



The FLATHEAD AXE HANGER POCKET is molded of black, high-strength, impact and corrosion-resistant urethane. It provides for the flexibility of mounting the axe head on top (HANGER) or bottom (POCKET).

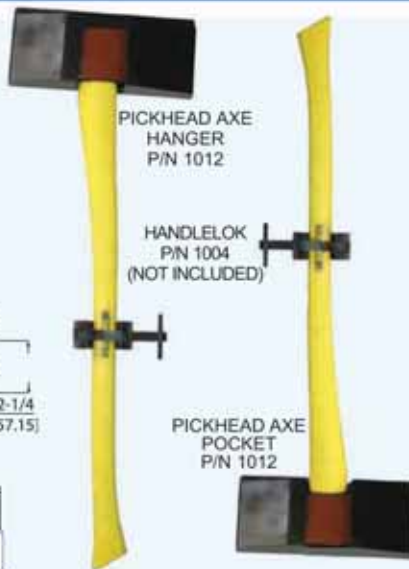
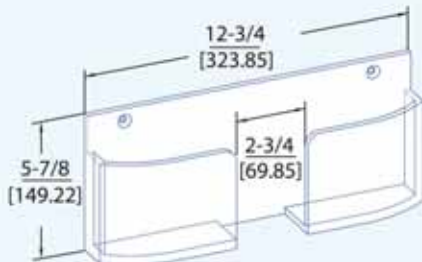
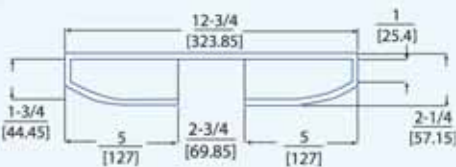
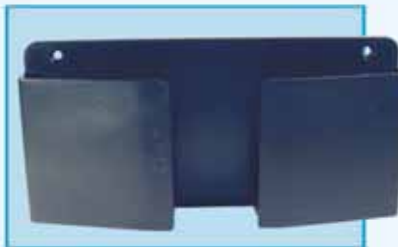
Flexible and tough, designed to give a lifetime of trouble-free, dependable service, this bracket provides a secure mount for the axe head when used with the HANDLELOK P/N 1004, (NOT INCLUDED).

FLATHEAD AXE HANGER/POCKET P/N 1011 INCLUDES THE FOLLOWING

PART NO.	DESCRIPTION	QUANTITY
1011	FLATHEAD AXE HANGER/POCKET	1
2032	PAC FASTENER PACKET	1

PAC

PICKHEAD AXE HANGER/POCKET P/N 1012



The PICKHEAD AXE HANGER/POCKET is molded of black high-strength, impact and corrosion-resistant urethane. It provides for the flexibility of mounting the axe head on top (HANGER) or bottom (POCKET).

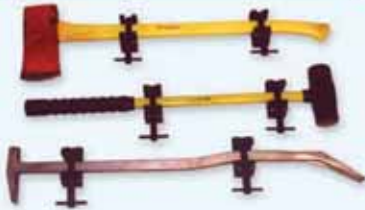
The PICKHEAD AXE HANGER/POCKET is flexible and tough, designed to give a lifetime of trouble-free, dependable service. When used with the HANDLELOK P/N 1004, (NOT INCLUDED), this bracket provides a secure mount for the axe head.

PICKHEAD AXE HANGER/POCKET P/N 1012 INCLUDES THE FOLLOWING

PART NO.	DESCRIPTION	QUANTITY
1012	PICKHEAD AXE HANGER/POCKET	1
2032	PAC FASTENER PACKET	1

PAC

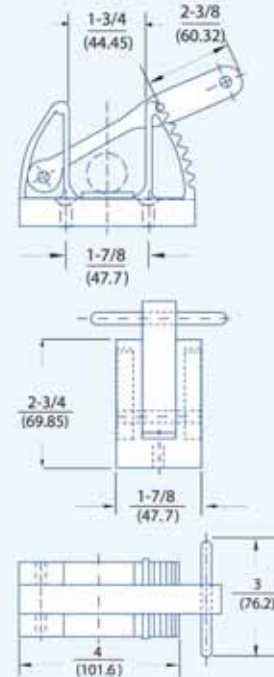
HANDLELOK P/N 1004



This new and improved HANDLELOK is an adjustable mounting bracket that provides secure mounting for tools, axe handles, poles, and other equipment. Grip range from 1/8" to 1-3/4" (3.17 to 44.45 mm).

The base is injection-molded of Super Tuff nylon with high-strength glass fibers. An Injection-molded STRETCHLOK (5400 PSI tensile) and injection-molded nylon handle pin is resistant to weather, UV, oxidation, and deterioration. A textured surface, soft, permanent pad is attached to the base to give a firm grip.

Rugged, cost-effective, easy to use and install, HANDLELOK features fast, adjustable locking and instant release. STRETCHLOK strap is available in black and high visible yellow HANDLELOK is compliant with NFPA 1901 requirements, at a rated load of 10 lbs.

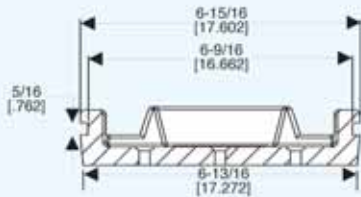


HANDLELOK P/N 1004 INCLUDES THE FOLLOWING

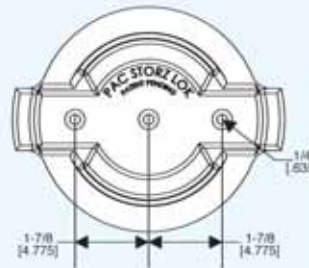
PART NO.	DESCRIPTION	QUANTITY
1004	HANDLELOK	1
2032	PAC FASTENER PACKET	1

4" STORZ LOK P/N 1040-4 5" STORZ LOK P/N 1040-5

PAC



DIMENSIONS FOR 5-INCH STORZ LOK



STORZ LOK Adapter Installed



FAST ACTING: You can use it faster than you can describe it.
EASY TO USE: No moving parts.
QUIET MOUNT: No metal to metal contact.
CORROSION: Will not corrode.
STRONG: Resistant to heat and cold. Can be mounted in any position - even hanging upside down under a shelf.

4" AND 5" STORZ LOK P/N 1040-4" AND P/N 1040-5" INCLUDES THE FOLLOWING

PART NO.	DESCRIPTION	QUANTITY
1040-4	STORZ LOK 4"	1
7039	PAC FASTENER PACKET	1

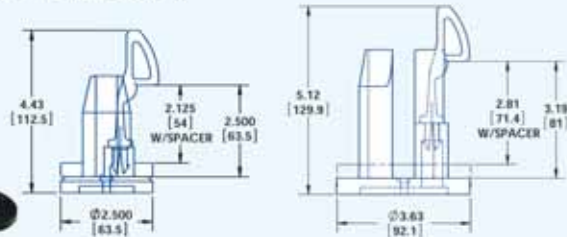
PART NO.	DESCRIPTION	QUANTITY
1040-5	STORZ LOK 5"	1
7039	PAC FASTENER PACKET	1

TRUCK HARDWARE

PAC ADAPTER LOKS P/N 1042-1 (1-1/2") P/N 1042-2 (2-1/2")



PAC's Adapter Loks help you organize your 1-1/2" and 2-1/2" Double Male and Double Female Adapters. Automatic lock made of high visible yellow space age Elastomer — No Electrolysis. Spacer Ring to allow for varying lengths of adapters.



ADPATER LOK
P/N 1042-1 (1-1/2")
AND
P/N 1042-2 (2-1/2")
INCLUDES THE
FOLLOWING

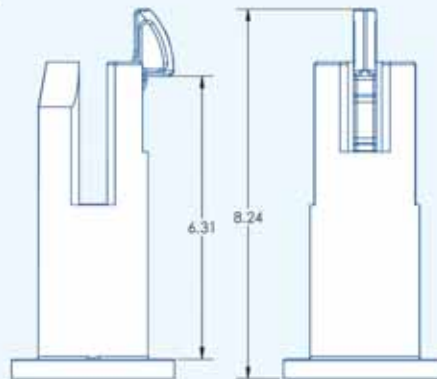
PART NO.	DESCRIPTION	QUANTITY
1042-1	1-1/2" ADAPTER LOK	1
1042-1R	SPACER RING	1
7046	PAC FASTENER PACKET	1
PART NO.	DESCRIPTION	QUANTITY
1042-2	2-1/2" ADAPTER LOK	1
1042-2R	SPACER RING	1
7046	PAC FASTENER PACKET	1

PAC DUAL ADAPTER LOK P/N 1042-D (2-1/2")



PAC's NEW Dual Adapter Lok now allows you to keep your Double Male and Double Female Adapters attached for quick access and significant space saving.

Like Adapter Lok, the Dual Adapter Lok features an automatic lock made of high visible yellow space age Elastomer – No Electrolysis. Spacer Ring to allow for varying lengths of adapters.



DUAL ADAPTER LOK P/N 1042-D INCLUDES THE FOLLOWING

PART NO.	DESCRIPTION	QUANTITY
1042-D	DUAL ADAPTER LOK	1
1042-2R	SPACER RING	1
7046	PAC FASTENER PACKET	1

PAC KITS PAC

The versatility of PAC products, and the need for multiple applications in tool mounting, has spurred the development of PAC KITS. These KITS are the combination of PAC brackets and accessories.

PAC

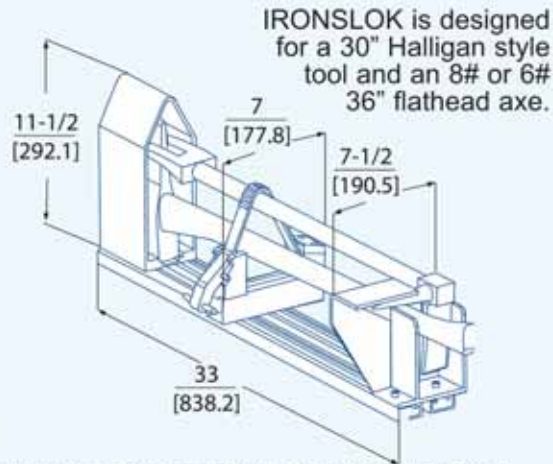
IRONSLOK P/N K5003



IRONSLOK can be mounted in a horizontal or vertical position. Drill (2) 17/64" holes in each 33" UNISTRUT in appropriate location, for secure mounting. Four hex head bolts and nuts are included for mounting.



IRONSLOK is compliant with NFPA 1901 requirements.



IRONSLOK P/N K5003 INCLUDES THE FOLLOWING

PART NO.	DESCRIPTION	QUANTITY
5026	BLADE END HOUSING	1
5027	HANDLE END SUPPORT/COVER	1
2021	P1000 EA.UNISTRUT 7"	1
2022	P4000 EA. UNISTRUT 33"	2
2010	P4006-1420 CHANNEL NUT	6
2018	P1006-1420 CHANNEL NUT	2
2004	ADJUSTAMOUNT CLAMP END	1
2005	ADJUSTAMOUNT LOCK END	1
2008 Y	ADJUSTABLE LOCKSTRAP	1
2035	PAC FASTENER PACKET	2
2013	3/16 SHORT ARM HEX KEY	1

TRUCK HARDWARE

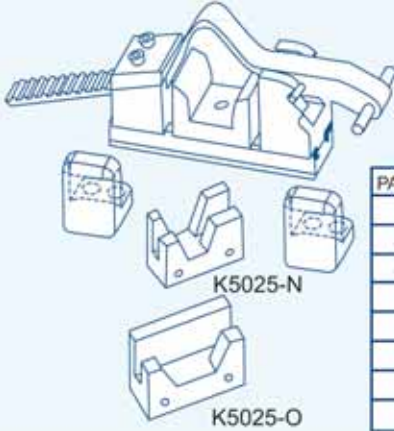
PAC CUTTERS EDGE MOUNTING KIT

P/N K5025-O (PRE - '99)
P/N K5025-N ('99 - New)



CUTTERS EDGE SAW MOUNTING KITS are specifically designed to provide rugged, heavy-duty, secure mounting for the saw.

A custom-molded "shoe" for the trigger handle end, together with two (2) molded UNIVERSAL MOUNTS for the tubular frame, plus a CHAIN GUARD and ADJUSTAMOUNT ASSEMBLY provides a positive hold down with the ability for instant release.



CUTTERS EDGE MOUNTING KIT P/N K5025-N (NEW STYLE HANDLE) OR P/N K5025-O (OLD STYLE HANDLE, PRE-'99) INCLUDES THE FOLLOWING

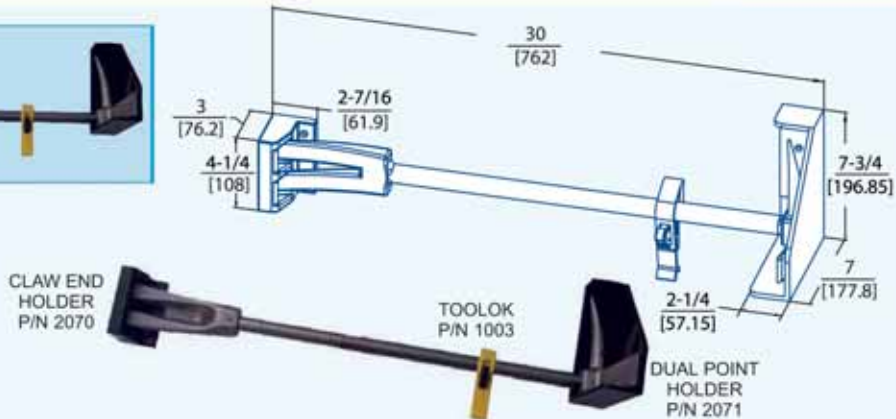
PART NO.	DESCRIPTION	QUANTITY
4055	CHAIN GUARD MOUNT	1
4056-N	TRIGGER HANDLE MOUNT (NEW STYLE) (K5025-N)	1
4056-O	TRIGGER HANDLE MOUNT (OLD STYLE) (K5025-O)	1
5006S	SPECIAL 6" LONG ADJUSTAMOUNT ASSEMBLY	1
1007	UNIVERSAL MOUNT	2
2032	PAC FASTENER PACKET	2
2035	PAC FASTENER PACKET	1
2013	3/16 SHORT ARM HEX KEY	1

HALLIGAN TOOL MOUNTING KIT P/N K5032



HALLIGAN TOOL MOUNTING KIT for safe, secure, and dependable storage in any position.

Molded CLAW END HOLDER (P/N 2070), DUAL POINT HOLDER (P/N 2071) with TOOLOK (P/N 1003) for vertical or horizontal mounting.



HALLIGAN TOOL MOUNTING KIT P/N K5032 INCLUDES THE FOLLOWING

PART NO.	DESCRIPTION	QUANTITY
2071	DUAL POINT HOLDER	1
2070	CLAW END HOLDER	1
1003	TOOLOK	1
2034	PAC FASTENER PACKET	1
7031	PAC FASTENER PACKET	1

Pinch Point Bar Bracket

- PPBH**
- Pinch point bar holder set, spring loaded, raised mounting; chrome plated zinc.



Pike Pole Brackets

Pike Pole brackets are constructed of the finest materials and are designed for easy mounting.

- PPBK**
- Designed to fit the contour of any pike pole or handle
 - Ideal for mounting between $\frac{3}{4}$ " - $1\frac{1}{4}$ " in diameter handles
- PPBK-LG**
- Ideal for round or elliptical shaped handles between $1\frac{1}{2}$ " - $1\frac{3}{4}$ " in size
- HM-58**
- $1\frac{1}{8}$ - $1\frac{3}{8}$ " O.D. horizontal pole mount with gasket
 - Chrome finish
 - Works great with "I-Beam" and "Ultra-Tough" pike poles
- HM-59**
- $1\frac{3}{8}$ - $1\frac{3}{4}$ " O.D. horizontal pole mount with gasket
 - Chrome finish
- VM-58**
- $1\frac{1}{8}$ - $1\frac{3}{8}$ " O.D. vertical pole mount with gasket
 - Chrome finish
 - Works great with "I-Beam" and "Ultra-Tough" pike poles
- VM-59**
- $1\frac{3}{8}$ - $1\frac{3}{4}$ " O.D. vertical pole mount with gasket
 - Chrome finish
- PPR-60**
- Pike pole ring with gasket
 - Chrome finish
 - Works well with all pike poles, excluding D-Handles



Tool Brackets

These heavy-duty Tool Brackets have covered jaws for securing various tools.

- 39**
- $\frac{3}{4}$ " - 1" Horizontal Tool Bracket**
- Fits smaller tools and applicators with $\frac{3}{4}$ " to 1" O.D.
 - Length: $3\frac{7}{8}$ " (98 mm), weight: 4 oz. (118 ml)
 - Fits Styles 15, 17, 19
- 40**
- $1\frac{1}{2}$ " - $2\frac{1}{2}$ " Horizontal Tool Bracket**
- Designed for $1\frac{1}{2}$ " and $2\frac{1}{2}$ " applicators and other tools, such as axe handles, with a $1\frac{1}{8}$ " to $1\frac{3}{4}$ " O.D.
 - Length: $4\frac{1}{8}$ " (105 mm), weight: 4 oz. (118 ml)
 - Fits Styles 1088, 2055, 2015, 2415, 2225
- 41**
- $\frac{3}{4}$ " - 1" Vertical Tool Bracket**
- Same as Style 39 except for vertical mount
 - Length: $5\frac{3}{8}$ " (137 mm), weight: 4 oz. (118 ml)
 - Fits Styles 15, 17, 19
- 42**
- $1\frac{1}{2}$ " - $2\frac{1}{2}$ " Vertical Tool Bracket**
- Same as Style 40 except for vertical mount
 - Length: $5\frac{5}{8}$ " (143 mm), weight: 4 oz. (118 ml)
 - Fits Styles 1088, 2055, 2015, 2415, 2225



Axe Mounting Brackets

- AS-510** Axe blade bracket for horizontal mounting; polished aluminum
- AS-520** Axe handle bracket; chrome plated zinc
- 511-SP** $\frac{1}{4}$ " poly spacer for 8 lbs. axes
- P-APC** Pick head axe cover w/chain
- AS-530** Axe blade bracket for vertical mounting 6 lbs. pick axe; bright alum. treadplate
- AS-540** Axe blade bracket for vertical mounting 6 lbs. flat axe; bright alum. treadplate
- AS-550** Axe blade bracket for vertical mounting 8 lbs. pick axe; bright alum. treadplate
- AS-560** Axe blade bracket for vertical mounting 8 lbs. flat axe; bright alum. treadplate
- AS-570** 8 lbs. and 10 lbs. sledge bracket for vertical mounting; bright alum. treadplate



TRUCK HARDWARE



END OF THE ROAD QUICK FIST

QUICK FIST

Holds objects 1" to 2 1/2" (25mm to 64mm) in diameter. Mounts easily to keep shovels, axes, hoses and other tools or implements securely in place. Use on work vehicles, fire and police units, off road trucks, military equipment, 4x4s, ATVs, RVs, boats or on any wall. They are made of heavy duty transportation grade rubber and are not affected by hot or cold climates or salt. The rubber is also UV resistant.



END OF THE ROAD SUPER QUICK FIST

SUPER QUICK FIST

Holds objects 2 1/2" to 9 1/2" (64mm to 240mm) in diameter. Mounts easily. Each clamp supports a safe working of 50lbs. (23kilos). Ideal for air tanks, Fire extinguishers, scuba tanks, hose nozzles, etc. They are made of heavy duty transportation grade rubber and are not affected by hot or cold climates or salt. The rubber is also UV resistant.



END OF THE ROAD MINI QUICK FIST

MINI QUICK FIST

Holds objects from 1/2" to 1" (13 to 25mm) in diameter. Mounts easily with one screw or bolt or with the included Industrial Adhesive. Great for mounting fishing rods, wire bundles, small flashlights and hand tools; can also be used as a pipe standoff. They are made of heavy duty transportation grade rubber and are not affected by hot or cold climates or salt. The rubber is also UV resistant.



ZICO Tulip Clip

ZIC-TC-1

Is ideal for holding axes, salvage and overhaul equipment and miscellaneous tools. Size: 3-1/4" H x 2" W x 1" D – Clip opening range 3/4" to 1-1/4"



ZICO Nozzle Clip

ZIC-CLN-200

Is designed for use with 2" nozzles. Size: 3-3/4" H x 2-1/2" W x 3/4" D.



ZICO Brackets

ZIC-TC-0B, TC-SB

Both spring clips may be mounted alone or in conjunction with the **Offset Bracket** (for vertical surface mounting) or the **Straight Bracket** (for horizontal surface mounting). Predrilled holes make mounting a simple operation.



ZICO Spring Steel Clips

ZIC-CL3.00, CL1.25, CL.25

Will neatly store all your small tools in vehicles or in-house. No more hunting for misplaced hammers, screw drivers, etc. The clips are made of red PVC coated carbon steel, tempered per MIL-H-6875. Easy to apply to any surface. Available in diameter sizes of .25, .50, .75, 1.00, 1.25, 1.50, 2.00, 2.50, and 3.00 inches. Designed to flex 1/16".



ZICO Delrin Tool Clips

ZIC-CLPR-050-B

Are heavy duty, thermoplastic spring clips ideal for keeping shovels, brooms, flashlights and other various items safe from being marred or scratched. Designed with round edges, these clips help prevent injuries. Available in diameters of .50, .75, 1.00, 1.25, 1.50, 1.75, and 2.00 inches.

ZICO Halligan Tool Mounting Brackets

ZIC-MB-2, MB-2-V, MB-22

Are made of cast aluminum with polyurethane coating or chrome plating to protect your tools. May be mounted wherever quick access to tools is required. All holders have a cable and pin to hold tools securely. Holders sold in sets of two.

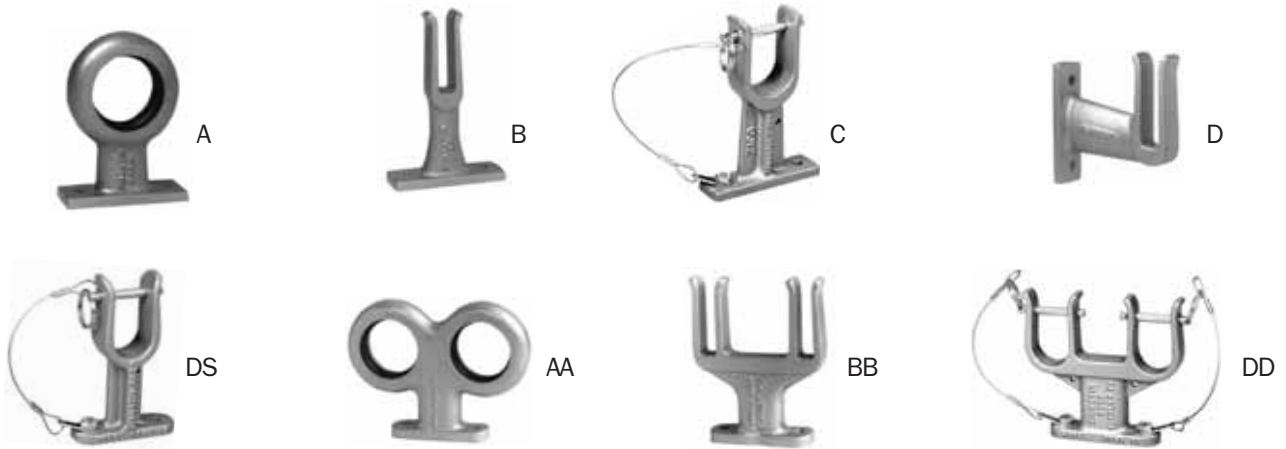


TRUCK HARDWARE

ZIC-PPMB-

ZICO Pike Pole Holders

Can be used with most pike pole, closet hooks and similar round handled tools. Holders are made of cast aluminum with a polyurethane coating or chrome plating to protect your tools and provide several years of maintenance-free service. Single tool holders – Parts A and C normally used on handle with head fitting into parts B, D or DS. Two part C's may be used on closet hooks or other poles having a "D" handle on one end and a pike head on the other.



ZIC-VM-

ZICO Variable Mounting Brackets

Are designed to accommodate various diameter tools and equipment. Brackets are powder coated aluminum. Durable, flexible draw latches hold the tools firmly in place. The latches are UV stabilized material for long life. Able to fit tools with diameters from 1" to 1.6".



ZIC-AC-1

ZICO Quic-Choc® Wheel Blocks



Feature high tensile strength aluminum construction, large rear-opening hand grip, and double row of rugged teeth to grip almost any firm surface. Comply with SAEJ348 Standard for Wheel Chocs. Available in 6-1/2, 8-1/4, 8-1/2, and 12" heights. Horizontal and vertical mounting brackets available.



ELKHART Tri-Loc Nozzle Holder

ELK-653

- For mounting nozzles and accessories on running board or in compartment
- Positive grip
- One hand release
- Fits 2.5" hose thread (except NPSH)
- Material: Brass with chrome-plated finish
- Diameter: 5"
- Height: 1.25"
- Weight: 1.5 lbs.



ELKHART Tri-Loc Nozzle Holder

ELK-L653

- For mounting nozzles and accessories on running board or in compartment
- Positive grip
- One hand release
- Fits 1.5" hose thread (except NPSH)
- Material: Brass with chrome-plated finish
- Diameter: 5"
- Height: 1.25"
- Weight: 1.5 lbs.



FLAMEFIGHTER SCBA Seat

SCBA SEATS

The Flamefighter SCBA Seat is built for the rugged demands of firefighting. It has tough 46oz vinyl with high density foam and quality stitching throughout. In addition, a slit in the head rest holds the shoulder straps securely in place for easy donning of the SCBA. Large lower openings give the waist belt a place to be out of the way. Our SCBA Seats are now available with our new RSG innovative SCBA restraint that does away with troublesome safety straps. This new NFPA compliant restraint uses a completely redesigned system to hold the SCBA in place in the event the vehicle is in a collision. Our SCBA seating works with any brand or model SCBA.